

Epic Precision Replacement Parts For ICBT "N" Magnetic Spindles

EE340053-1 Spindle Assy., ICBT N, w/Upper Bearing Housing Assy., w/o Spindle Disc Assy.

EE309099 Rebuild Customer ICBT CD/DT; N Spindle

EE304500 O-ring, Top Bearing, Upper

EE380166 Washer, Wave, RM, F44, and ICBT N Spindles

EE380164 Wire Keeper for RM, F44, and ICBT N Spindles

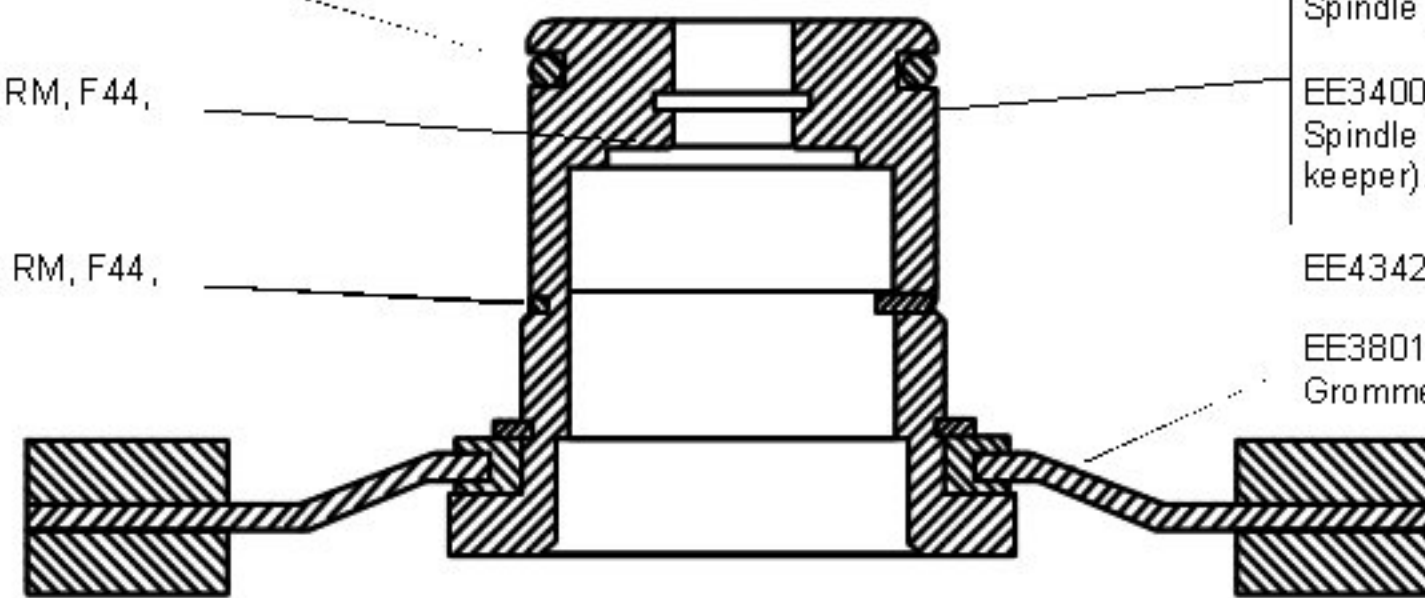
EE380168 Bearing Housing, Upper, for ICBT N Spindle (Shell Only—Does not include O-ring)

EE340055 Bearing Housing, Upper, for ICBT N Spindle (Includes O-ring, wave washer, and wire keeper).

EE434228 Ring, External Retaining, 42X1.75

EE380144 Plate, Upper Magnet, w/ Magnet & Grommet for RM, F44, and ICBT Spindles

EE380141 Magnet, for Verdol F44, RM, and ICBT



EE309115 Eyelet Assy.

EE380172 Eyelet, Ceramic

EE380173 Guide, Two-Way, Channel

EE304448 Washer, Spacer, for RM, F44, and ICBT N Spindles

EE305540 Bearing, Ball, 6201, for ICBT N Spindle

EE305541 Bearing, Ball, 6202, for ICBT N Spindle

EE309044 O-ring, 9.5 X 1.5 mm

EE309040 Eyelet, Ceramic, for Reserve Disc

EE380059 Eyelet Retaining Piece for Hub/Reserve

EE309041 Screw for Eyelet Holder

EE380161 Hub, Axle

EE380162 Axle & Hub Assy.

EE380170 Hub, Aluminum,

EE401015V Screw, Socket Head Cap, 5X12

EE303760-1 Screw, Socket Head Cap, 5X25

EE340053 Spindle Assy., without Housing and Spindle Disc Assembly

EE380205 Axle & Box Assy.

- 1) EE380162
- 1) EE309115
- 1) EE380170
- 3) EE303760-1

EE380169 Whorl

EE305541 Bearing, Ball, 6202, for ICBT N Spindle

EE305540 Bearing, Ball, 6201, for ICBT N Spindle

EE380163 Nut

EE304640 Ring, External Retaining

EE380141 Magnet, for Verdol F44, RM, and ICBT

EE380160 Axle

021084011 Plate, Lower Magnet, with Magnets



92007702 Housing, ICBT Spindle

EE331234 Screw, Hex Socket Flat Point Set, 10 X 25 mm

EE380193 Seal Ring for Brake Piston

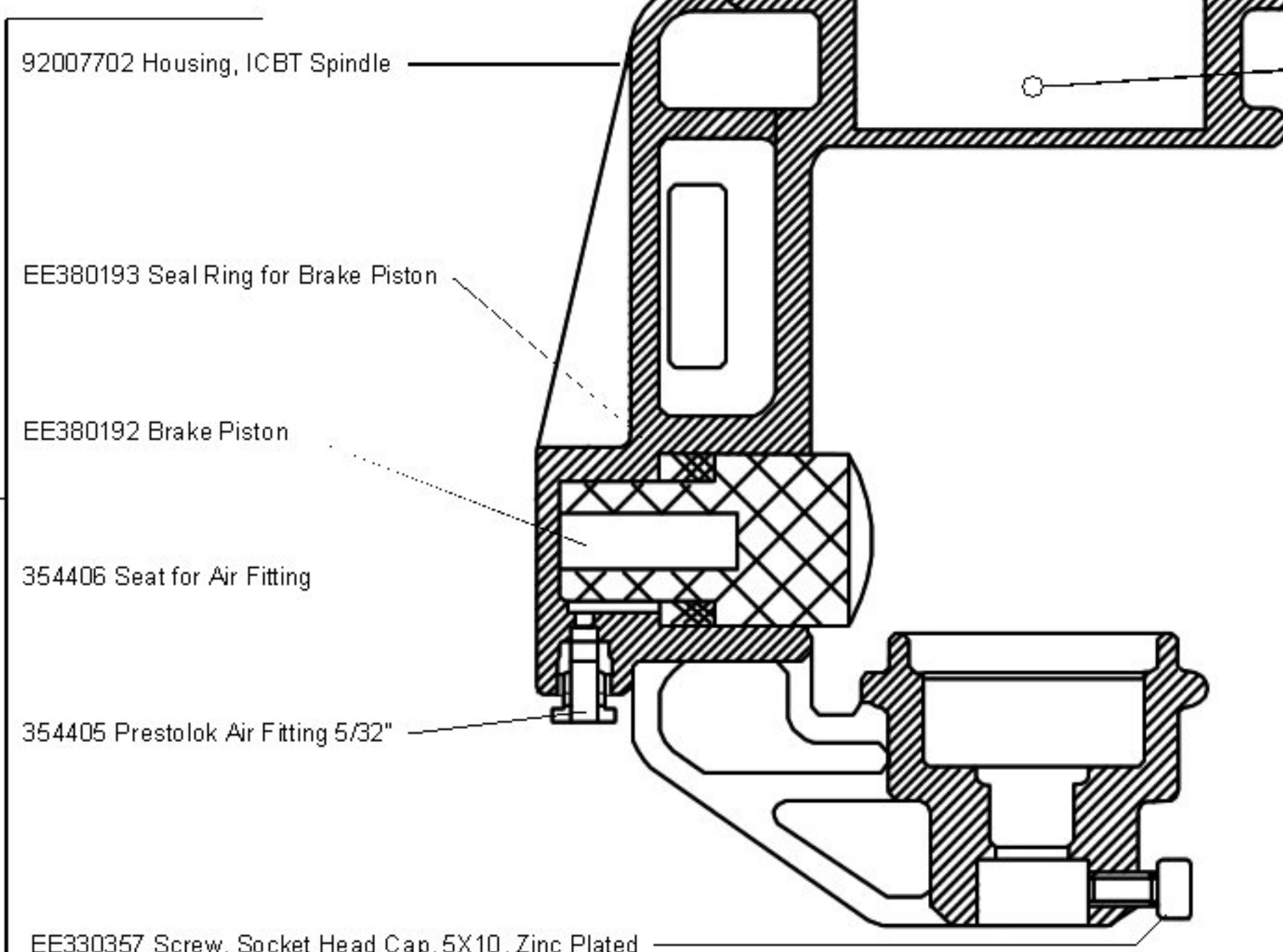
EE380192 Brake Piston

354406 Seat for Air Fitting

354405 Prestolok Air Fitting 5/32"

EE330357 Screw, Socket Head Cap, 5X10, Zinc Plated

021084009 Housing ICBT Spindle Complete



Epic products are intended as replacements for worn or damaged parts in OEM products. OEM part numbers in parenthesis indicate either 1) improved design, 2) the part serves the same function as the OEM part, but may differ from the OEM design, or 3) it is a component of an assembly where no OEM reference number is available, or 4) it is a repair service for the referenced OEM part.

EE is an Epic trademark designating Epic parts ©Epic Enterprises, Inc., February 2004

Epic Enterprises, Inc., PO Box 979, Southern Pines, NC 28388-0979 USA
 Telephone: Toll Free 800-648-7273 or 910-692-5441 Outside USA
 Fax: Toll Free 888-692-4147 or 910-692-4147 Outside USA
 Website: <http://www.epicenterprises.com> E-Mail: epic@epicenterprises.com

